

4

3

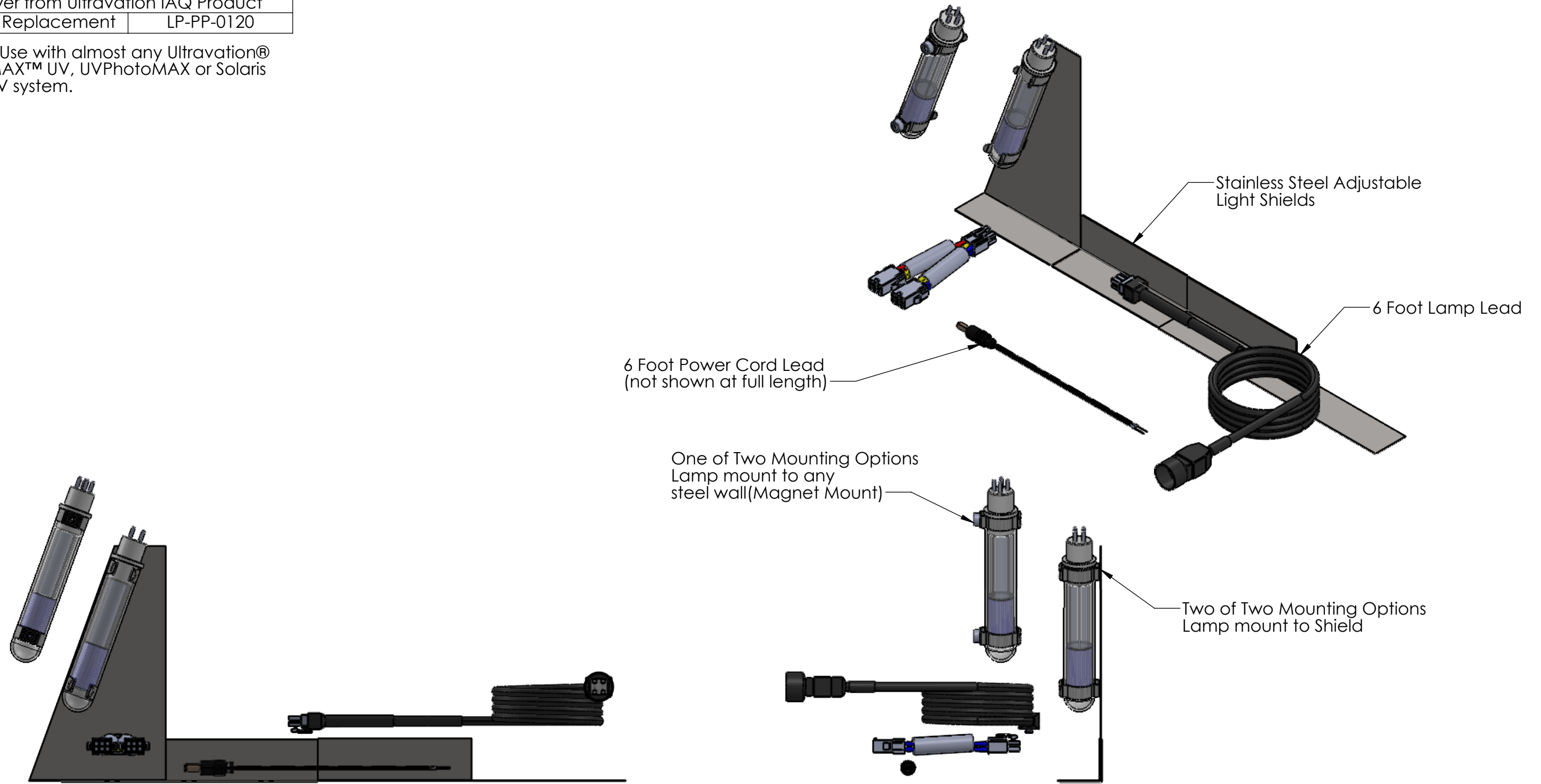
2

1

Specifications

Power from Ultravation IAQ Product	
Lamp Replacement	LP-PP-0120

Note: Use with almost any Ultravation® UltraMAX™ UV, UVPhotoMAX or Solaris IAQ UV system.



6 Foot Power Cord Lead (not shown at full length)

Stainless Steel Adjustable Light Shields

6 Foot Lamp Lead

One of Two Mounting Options Lamp mount to any steel wall (Magnet Mount)

Two of Two Mounting Options Lamp mount to Shield

PROPRIETARY AND CONFIDENTIAL THE INFORMATION CONTAINED IN THIS DRAWING IS THE SOLE PROPERTY OF ULTRAVATION. ANY REPRODUCTION IN PART OR AS A WHOLE WITHOUT THE WRITTEN PERMISSION OF ULTRAVATION IS PROHIBITED.

**Ultravation**  
 Better Air | Better Water | Better Living  
 ULTRAVATION, INC.  
 67 TUBBS AVENUE  
 BRANDON VT. 05773  
 PHONE (866) 468-8247

UNLESS OTHERWISE SPECIFIED:  
 DIMENSIONS ARE IN INCHES  
 TOLERANCES:  
 FRACTIONAL ±  
 ANGULAR: MACH ± BEND ±  
 TWO PLACE DECIMAL ±  
 THREE PLACE DECIMAL ±  
 INTERPRET GEOMETRIC TOLERANCING PER:  
 MATERIAL  
 FINISH  
 APPLICATION DO NOT SCALE DRAWING

	NAME	DATE
DRAWN	H Kelley	1/28/2026
CHECKED		
ENG APPR.		
MFG APPR.		
Q.A.		
COMMENTS:		

TITLE: <b>Drainlight UV Upgrade Kit</b>		
SIZE <b>B</b>	DWG. NO. <b>EZ-Light-4-DUV</b>	REV
SCALE: 1:4	WEIGHT:	SHEET 1 OF 1

4

3

2

1

B

B

A

A