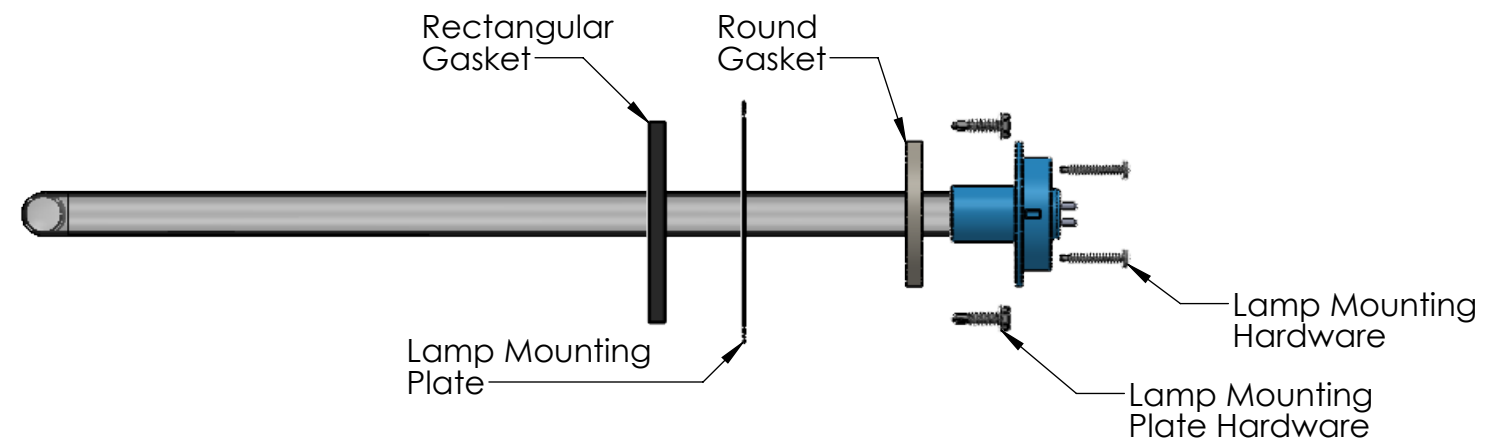
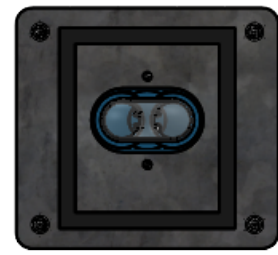
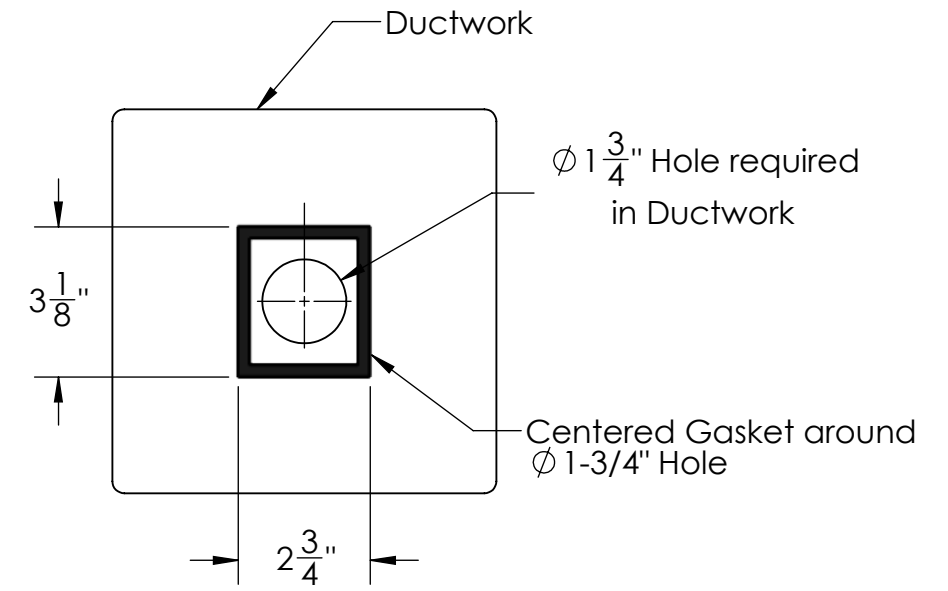
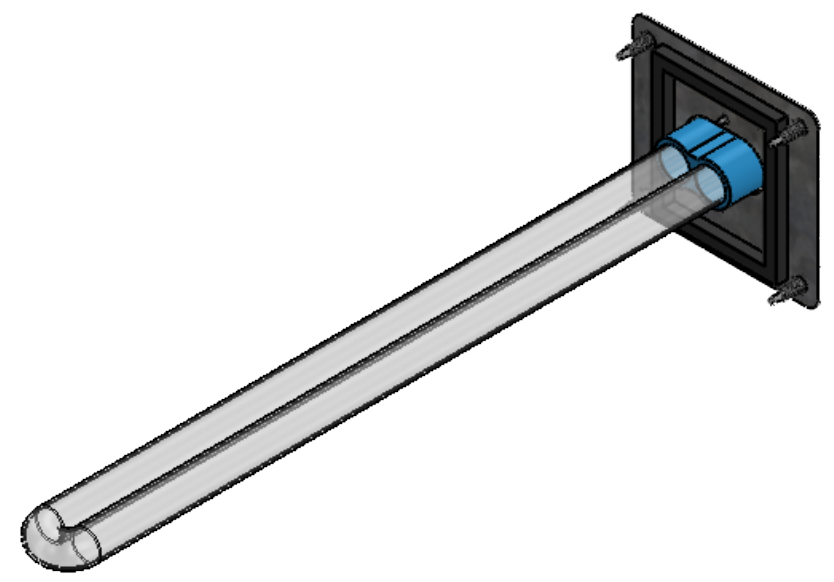
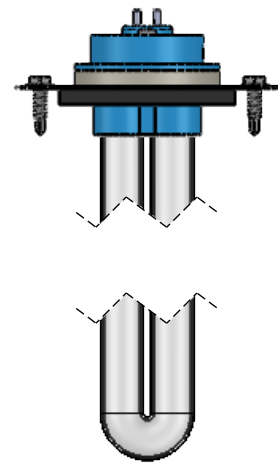


4

3

2

1



B

B

A

A

PROPRIETARY AND CONFIDENTIAL
 THE INFORMATION CONTAINED IN THIS DRAWING IS THE SOLE PROPERTY OF <INSERT COMPANY NAME HERE>. ANY REPRODUCTION IN PART OR AS A WHOLE WITHOUT THE WRITTEN PERMISSION OF <INSERT COMPANY NAME HERE> IS PROHIBITED.

Ultravation
 Better Air Better Water | Better Living
 ULTRAVATION, INC.
 67 TUBBS AVENUE
 BRANDON VT. 05773
 PHONE (866) 468-8247

UNLESS OTHERWISE SPECIFIED:
 DIMENSIONS ARE IN INCHES
 TOLERANCES:
 FRACTIONAL \pm
 ANGULAR: MACH \pm BEND \pm
 TWO PLACE DECIMAL \pm
 THREE PLACE DECIMAL \pm
 INTERPRET GEOMETRIC TOLERANCING PER:
 MATERIAL
 FINISH
 APPLICATION DO NOT SCALE DRAWING

	NAME	DATE
DRAWN	H Kelley	1/26/2026
CHECKED		
ENG APPR.		
MFG APPR.		
Q.A.		
COMMENTS:		

TITLE: Twin Lamp Assy		
SIZE B	DWG. NO. SLX-AAL-16 Twin Lamp Mount	REV
SCALE: 1:8	WEIGHT:	SHEET 1 OF 1

4

3

2

1