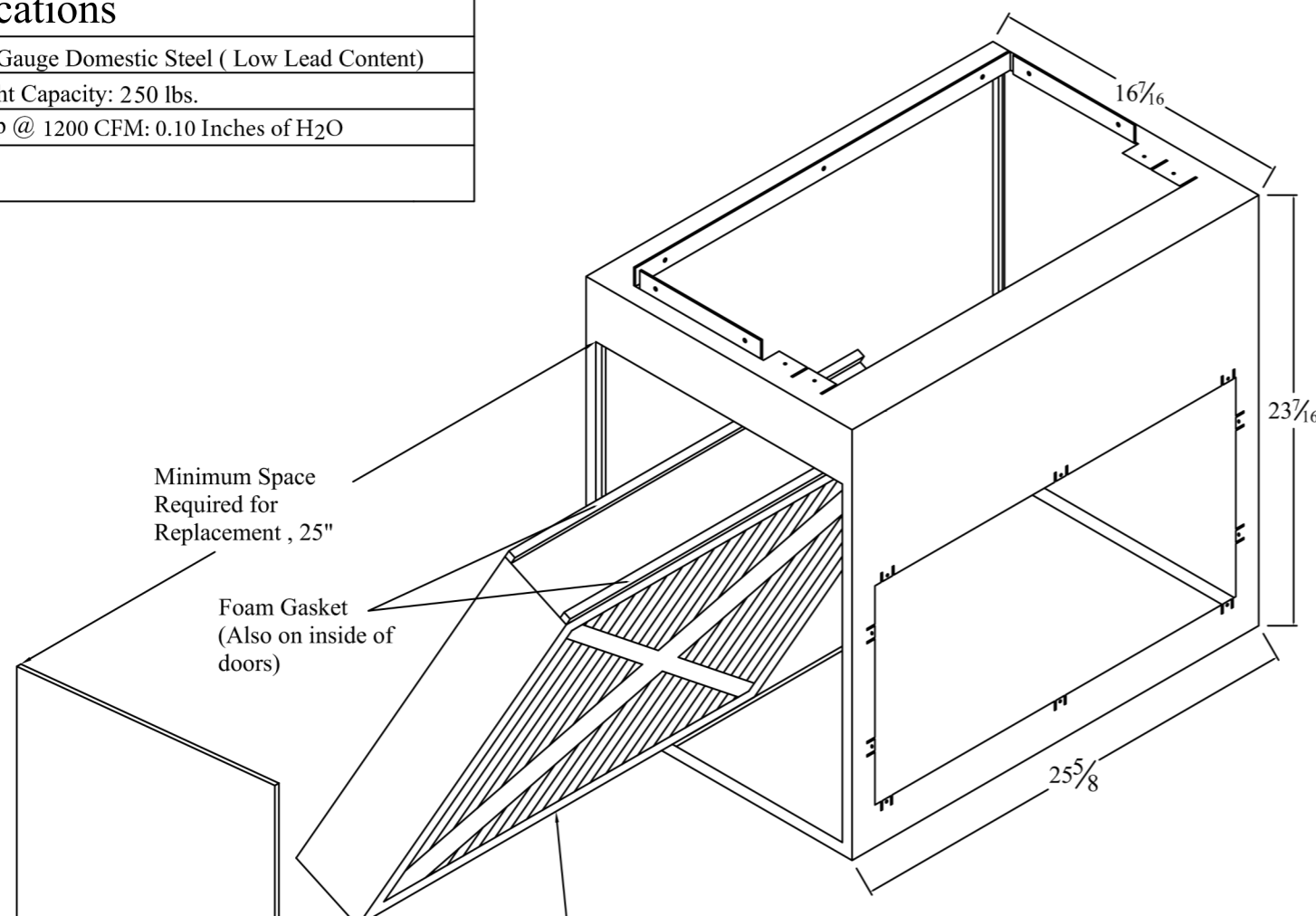


Specifications

Material: 22 Gauge Domestic Steel (Low Lead Content)

Design Weight Capacity: 250 lbs.

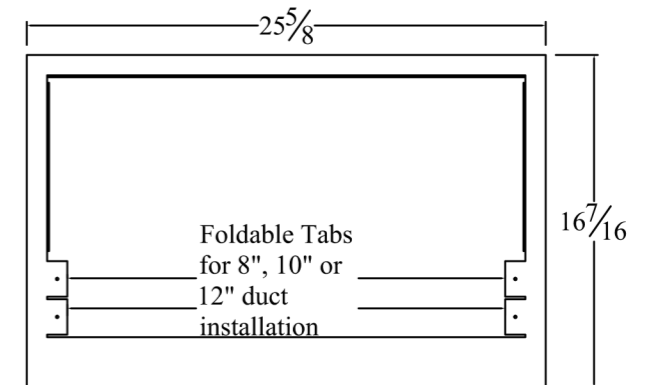
Pressure Drop @ 1200 CFM: 0.10 Inches of H₂O



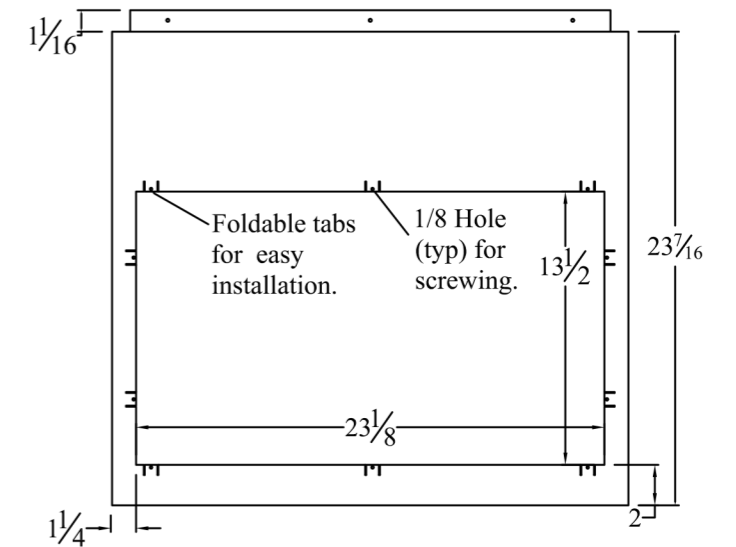
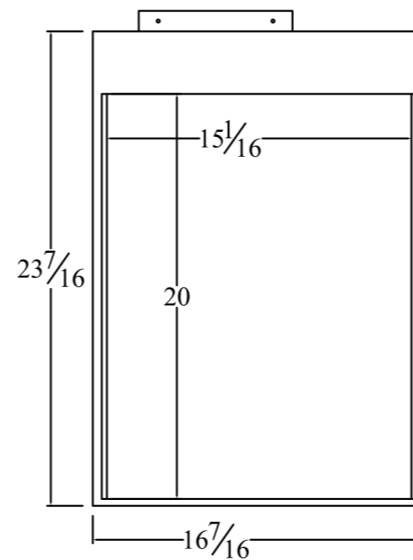
Minimum Space
Required for
Replacement , 25"

Foam Gasket
(Also on inside of
doors)

Part # 91-026
Replacement
MERV-13 Filter



Heavy Duty Metal
Handle for easy door
removal to replace
filter



Ultravation, Inc.

67 Tubbs Ave
Brandon, VT- 05733

Ph: 877-468-8247

Fx: 802-287-9203

www.Ultravation.com

Part #: SLX-MC-164-M13

Drawing #:

Rev - B

Description: Right Angle Media Air Cleaner
w/20x25x5 MERV-13 Filter.
Galvanized cabinet painted door.

Date: 01/16/24

Scale:

Creator: JSM