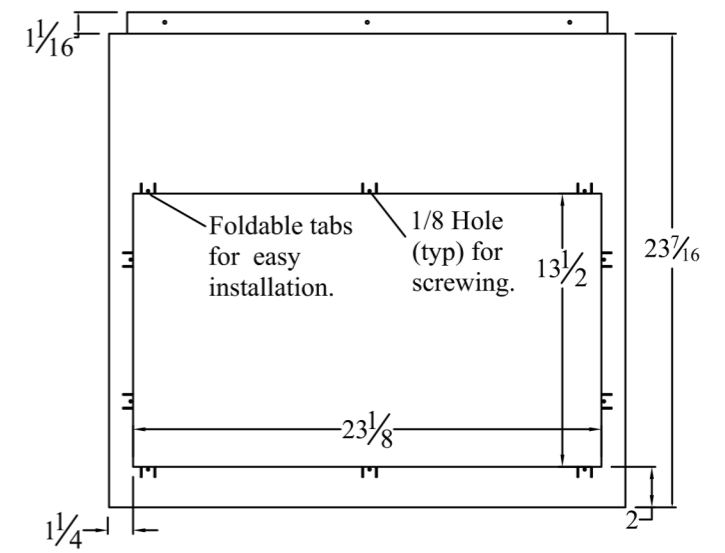
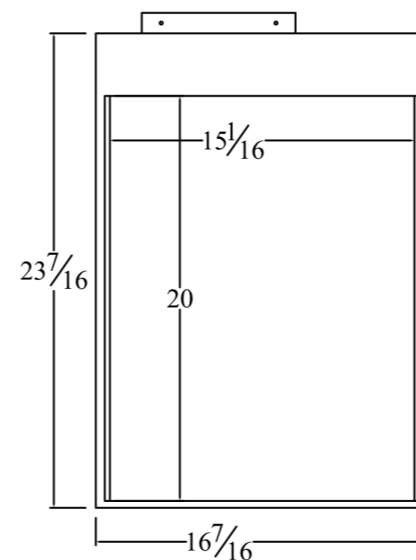
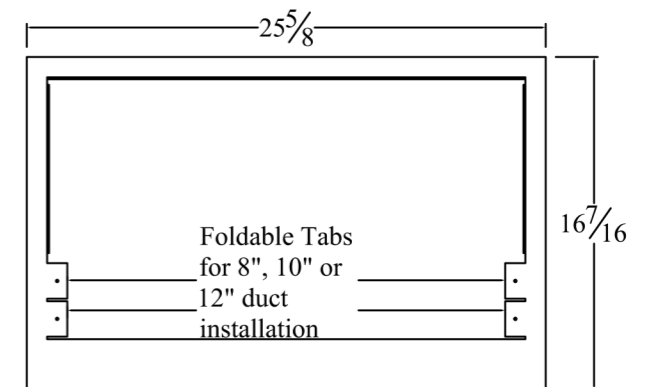
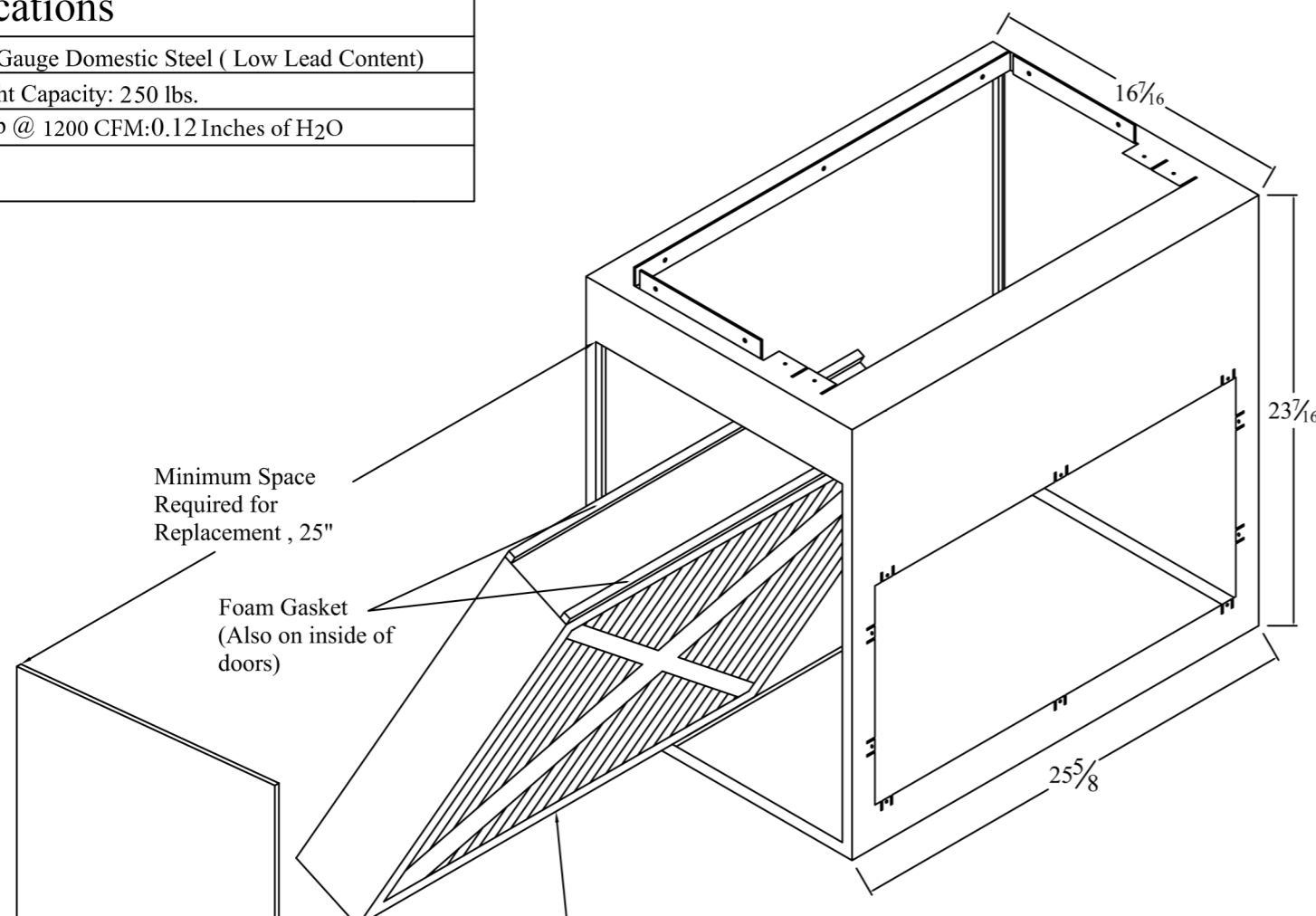


# Specifications

Material: 22 Gauge Domestic Steel ( Low Lead Content)

Design Weight Capacity: 250 lbs.

Pressure Drop @ 1200 CFM: 0.12 Inches of H<sub>2</sub>O



Heavy Duty Metal Handle for easy door removal to replace filter

## Ultravation, Inc.

67 Tubbs Ave  
 Brandon, VT- 05733  
 Ph: 877-468-8247  
 Fx: 802-287-9203  
 www.Ultravation.com

Part #: SLX-MC-164 | Drawing #: | Rev - B

Description: Right Angle Media Air Cleaner  
 w/20x25x5 MERV-11 Filter.  
 Galvanized cabinet painted door.

Date: 01/16/24 | Scale: | Creator: JSM