

4

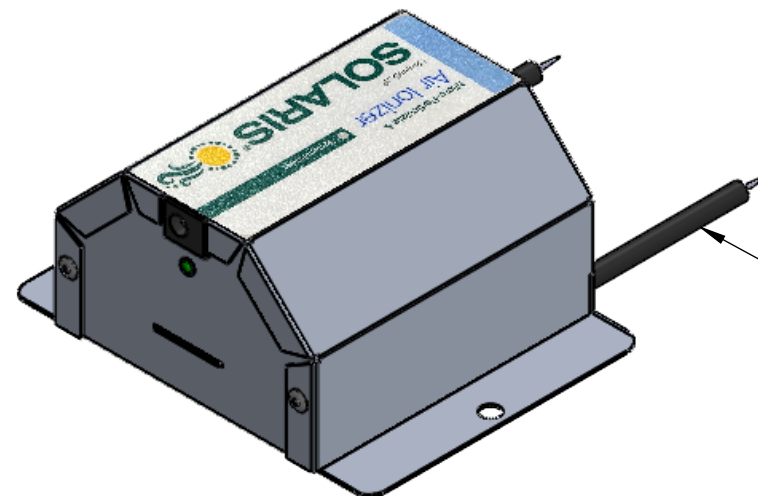
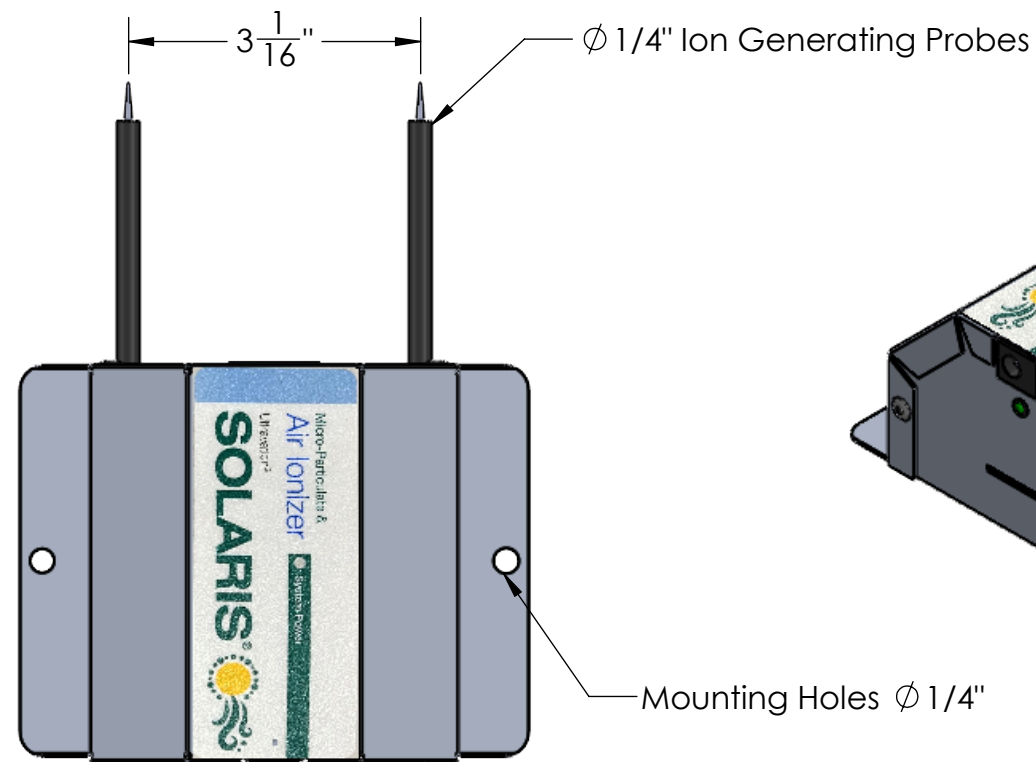
3

2

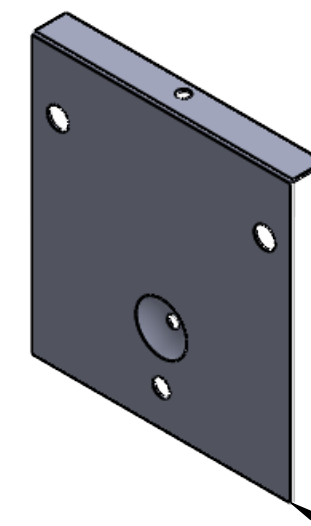
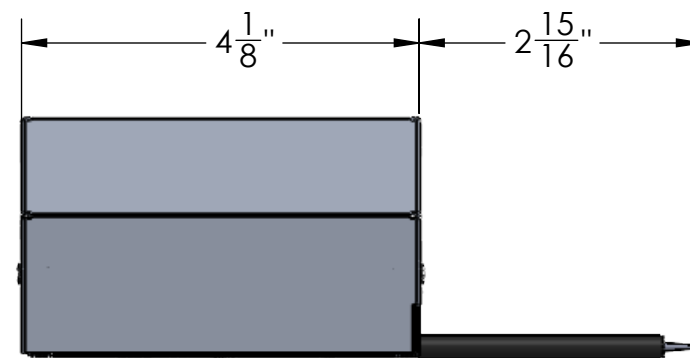
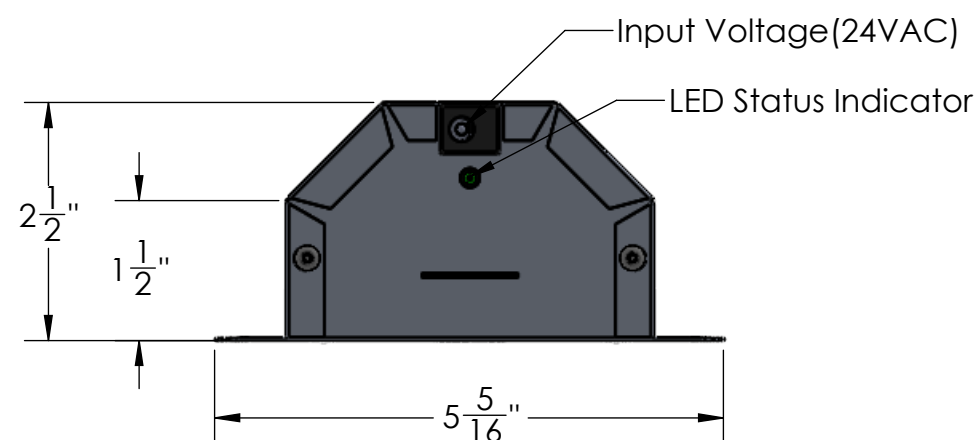
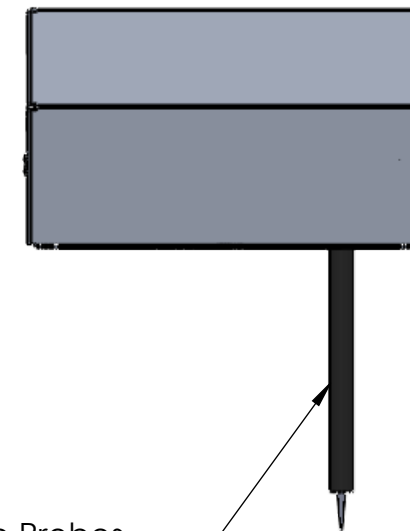
1

Specifications	
Input Voltage	24VAC
Power Consumption	6Va
Total Ion Output	>300 Million +/- Ions/cc O3<5PPB
Needle Point count	2 Total, 1 Positive/1 Negative

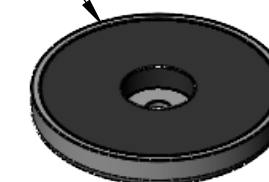
Includes Owner's Manual, Warranty Card and Hardware Packet



Adjustable Probes for Internal or External Mounting



Optional Magnet Mount Included



Optional Mounting Plate Included

B

B

A

A

4

3

2

1

**PROPRIETARY AND CONFIDENTIAL**  
 THE INFORMATION CONTAINED IN THIS DRAWING IS THE SOLE PROPERTY OF ULTRAVATION. ANY REPRODUCTION IN PART OR AS A WHOLE WITHOUT THE WRITTEN PERMISSION OF ULTRAVATION IS PROHIBITED.

		UNLESS OTHERWISE SPECIFIED:		NAME	DATE
		DIMENSIONS ARE IN INCHES TOLERANCES: FRACTIONAL ± ANGULAR: MACH ± BEND ± TWO PLACE DECIMAL ± THREE PLACE DECIMAL ±		DRAWN	H Kelley 4/6/2026
ULTRAVATION, INC. 67 TUBBS AVENUE BRANDON VT. 05773 PHONE (866) 468-8247		INTERPRET GEOMETRIC TOLERANCING PER:		CHECKED	
		MATERIAL		ENG APPR.	
		FINISH		MFG APPR.	
APPLICATION		DO NOT SCALE DRAWING		Q.A. COMMENTS: Needle Point Ionization System Treats up to 6 Tons	
				TITLE: SLX-PG5T	
		SIZE	DWG. NO.	REV	
		<b>B</b>	SLX-PG5T-DDS		
		SCALE: 1:2	WEIGHT:	SHEET 1 OF 1	